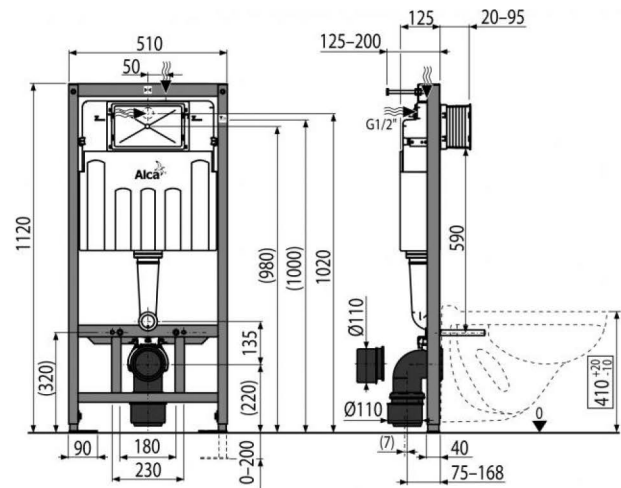


**Pre-wall installation system for dry build up (plasterboard)**



**Application**

- For wall-hung WC
- For mounting in front of a support wall or in to a plasterboard construction
- For floor thickness 0-200 mm
- For installation of wall-hung WC pans with a connecting pitch of 180 mm or 230 mm

**Features**

- Adjustable sliding anchor feet and a spring-lock system, with a range of 0-200 mm
- Visible marks for both leveling and the centerline
- Sliding rail holder for the waste connector can be set to eight positions between 0-93 mm
- Angle valve with the ability to connect to the Mepla piping system
- The frame allows the anchoring to a separate sufficiently strong plasterboard partition or in front of the bearing wall
- The installed module is sealed with a plasterboard panel and there is no need for any additional fixing or anchor elements
- The construction of polystyrene insulation prevents condensation forming on the surface of the tank and dampens the vibrations from the tank into the building structure
- Prepared for connecting a bracket with a DG 1/2" conversion for bidet seats and sprays
- Dual flush, independently adjustable with hygienic reserve
- Suitable for installation of remote or sensor flushing
- Compatible with all ALCA flush plates
- Maintenance work without using any tools
- Water supply from the rear / top
- The cistern is made of one piece, thus ensuring 100% impermeability
- The service opening cover simplifies assembly and prevents the penetration of moisture and impurities
- Installation depth adjustable from 20-95 mm
- Installation depth 125 mm
- Frame material: powder-coated metal

**Norms**

EN 14124, EN 14055

## Pre-wall installation system for dry build up (plasterboard)

### Scope of supply

- Cistern with fill and flush valve
- Self-supporting frame
- Fittings 1/2" water connection with the integrated angle valve Schell 1/2-3/8"
- Flushing mechanism screw 2 pcs
- Fixation set: screw Ø8×60 - 4 pcs, dowel Ø12 - 4 pcs
- Fixation material for fixing the WC pan: Threaded rod M12 - 2 pcs, washers - 4 pcs, cover - 2 pcs, nut - 2 pcs, thread protector - 2 pcs
- Elbow waste connector HT90 / 110 polyethylene, PE-HD
- Inlet seal, PP outlet, wrapping seal
- Drainage seal, PP connector, connector seal
- End-caps set for protecting the connecting holes during installation of the system
- The 2 piece cover of the service opening is simply adjustable

### Order number

Code	EAN
AM101/1120	8595580549398

### Technical specifications

- Water connection from the back or top via mounting holes G1/2 "
- Functional range of water pressure 0,05-0,8 MPa
- Recommended range of water pressure 0,3-0,5 MPa
- Big flush 6-9 l
- Small flush 2,5-3,5 l
- The default setting of large flush 6 l
- The default setting of small flush 3 l
- Hygienic reserve 3 l
- Water volume in the cistern 9 l
- Load test 400 kg

### Warranty

2/15 years

Weight - piece	13.8441 kg
Weight – packing	13.6046 kg
Weight - pallet	kg
Dimensions - piece	1130×145×520 mm
Dimensions – packing	1130×520×145 mm
Quantity – packing	1 pc
Quantity – Palett	15 pcs